



ERL Commercial Marine, Inc.

Ph: 1-800-831-9510

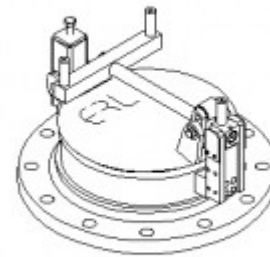
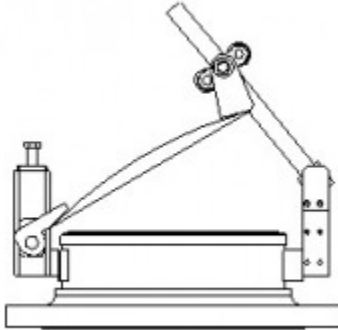
Email: [Contact Us](#)

Website: <http://commercial-marine.erlinc.net/index.php>

SUPERAC™ 12" ROUND MARINE SAFETY RELIEF VALVE

PATENT

PENDING



AUTOMATIC OPERATION

The Superac 12" round Marine Safety Relief Valve (Spill Valve) is designed to operate automatically with a set point repeatability of 3%. This valve was designed and built to withstand the most severe marine service and cargos. Should an overfill or over pressurization occur, this valve will automatically open sufficiently to relieve cargo at a flow rate equal to the overfill rate. This will maintain safe working pressure within the cargo compartment being protected. When the overfill condition abates, the valve will automatically close and reseal. In addition to overfill protection, this valve also protects the cargo compartment from over pressurization which can occur if the vent header piping becomes blocked or if a P-V Valve does not open.

SIMPLE WEIGHT OPERATED DESIGN

Our exclusive weight operated design with non linear closure force affords increased flow rates at reduced pressure drops. This valve has very few parts and virtually no maintenance requirements except for the resilient vapor seal.

EASILY FIELD TESTED

Checking the valve prior to each loading could not be easier. Simply lift the Test Handle to verify that the valve is working and/or is not stuck. ERL's exclusive set point test feature

also allows you to verify set opening point at the valve on deck in less than one minute.

| VAPOR TIGHT SEAL

ERL's resilient seal and Teflon™ seal shield are field proven to seal very well and provide extended service life.

| 100% STAINLESS STEEL CONSTRUCTION

All components are 300 series stainless steel except for the elastomer seal and the seal shield for extended service life with little need for maintenance.

| CERTIFIED TO MEET OR EXCEED ALL USCG REQUIREMENTS

Every Superac Safety Relief Valve is 100% factory tested prior to shipment. The Superac 12" Round Marine Safety Relief Valve is certified to meet or exceed all USCG and ASTM F-1271 test requirements.

Page URL: <http://commercial-marine.erlinc.net/index.php/view/Catalog-ViewPage/id/171>